

193101920

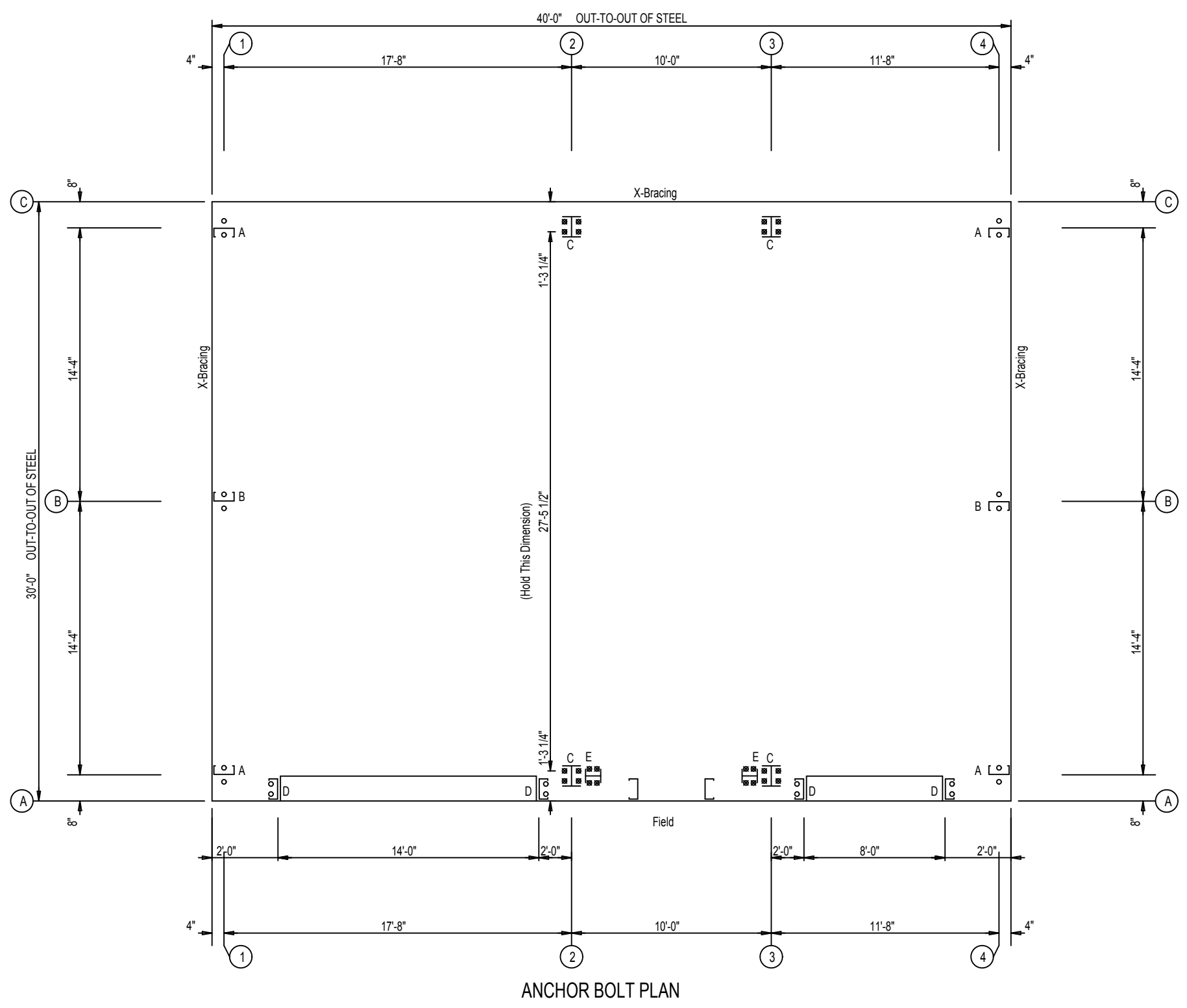
Building Layout

2/14/19

NOT FOR CONSTRUCTION

○ Dia= 5/8"

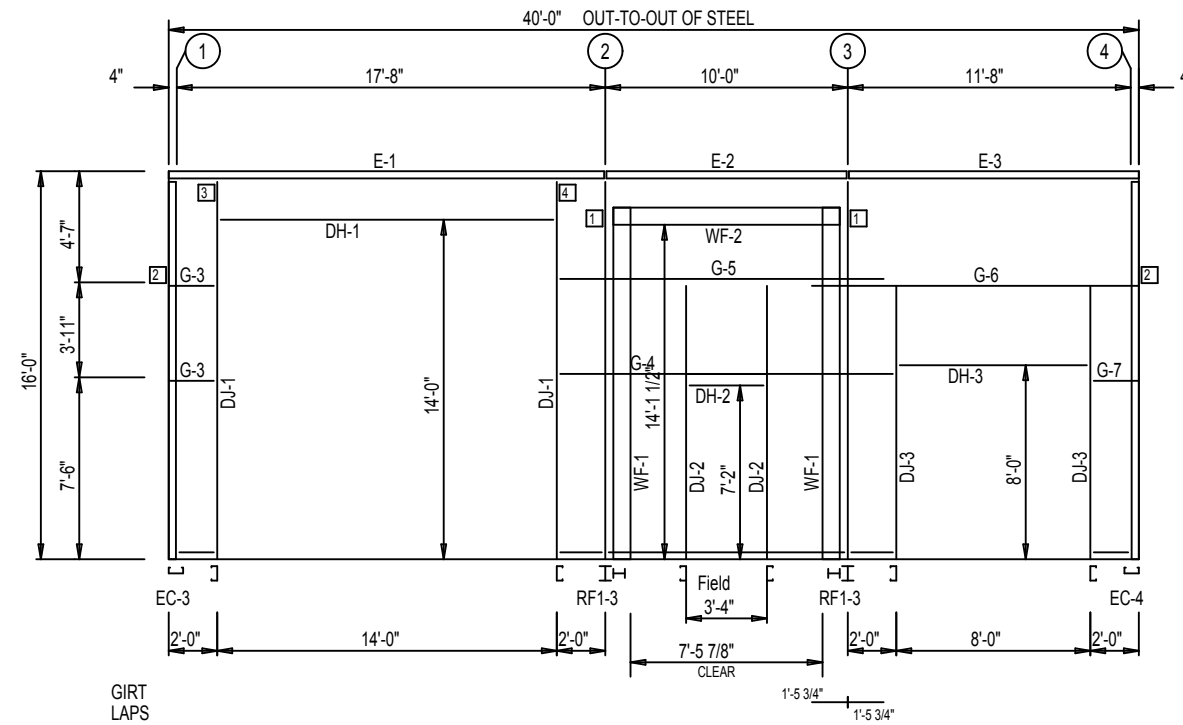
⊗ Dia= 3/4"



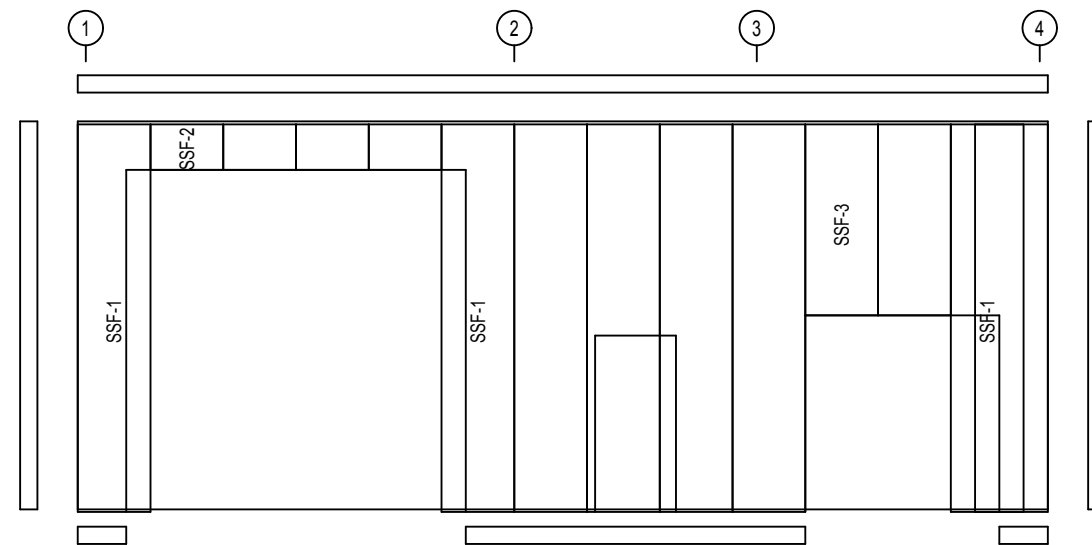
NOT FOR CONSTRUCTION

BOLT TABLE				
FRAME LINE A				
LOCATION	QUAN	TYPE	DIA	LENGTH
WF-1 - WF-2	8	A325	3/4"	2"
WF-1 - RF1-3	8	A325	5/8"	1 1/2"

CONNECTION PLATES	
FRAME LINE A	
ID	MARK/PART
1	SC-480
2	SC-5
3	SC584_L
4	SC584_R



SIDEWALL FRAMING: FRAME LINE A

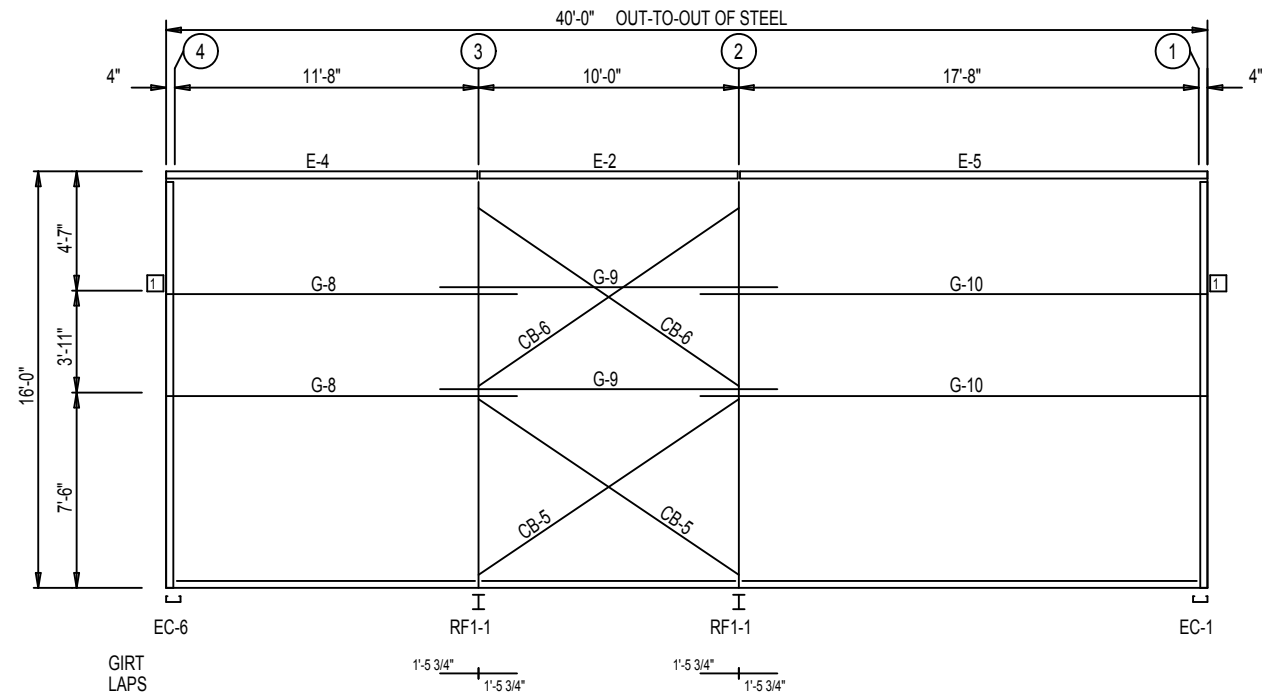


SIDEWALL SHEETING & TRIM: FRAME LINE A

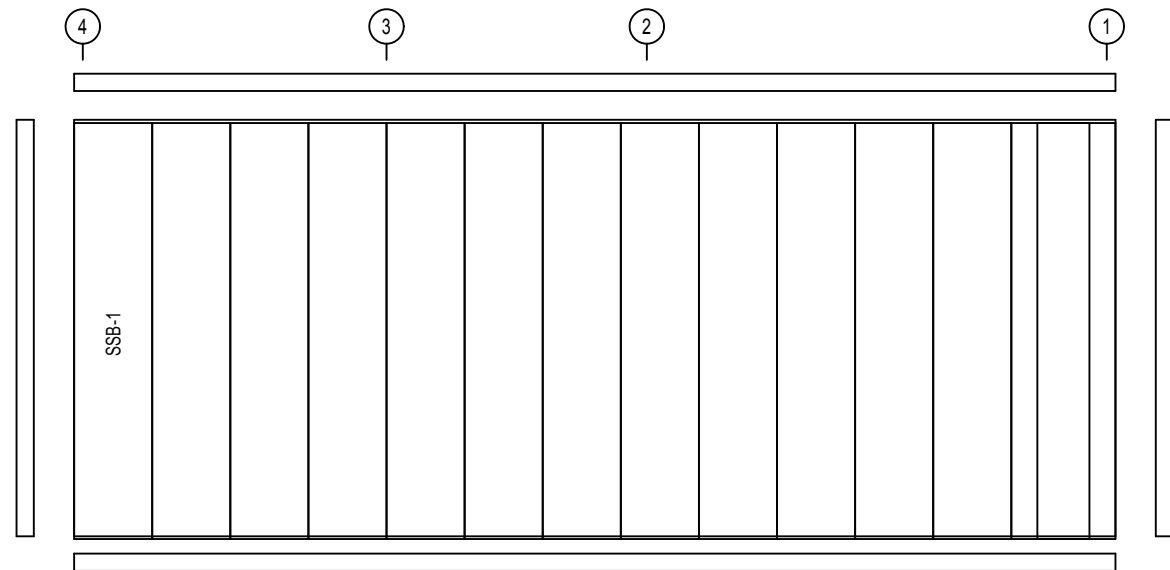
PANELS: 26 Gauge PBR - Polar White

NOT FOR CONSTRUCTION

CONNECTION PLATES	
FRAME LINE C	
ID	MARK/PART
1	SC-5



SIDEWALL FRAMING: FRAME LINE C



SIDEWALL SHEETING & TRIM: FRAME LINE C

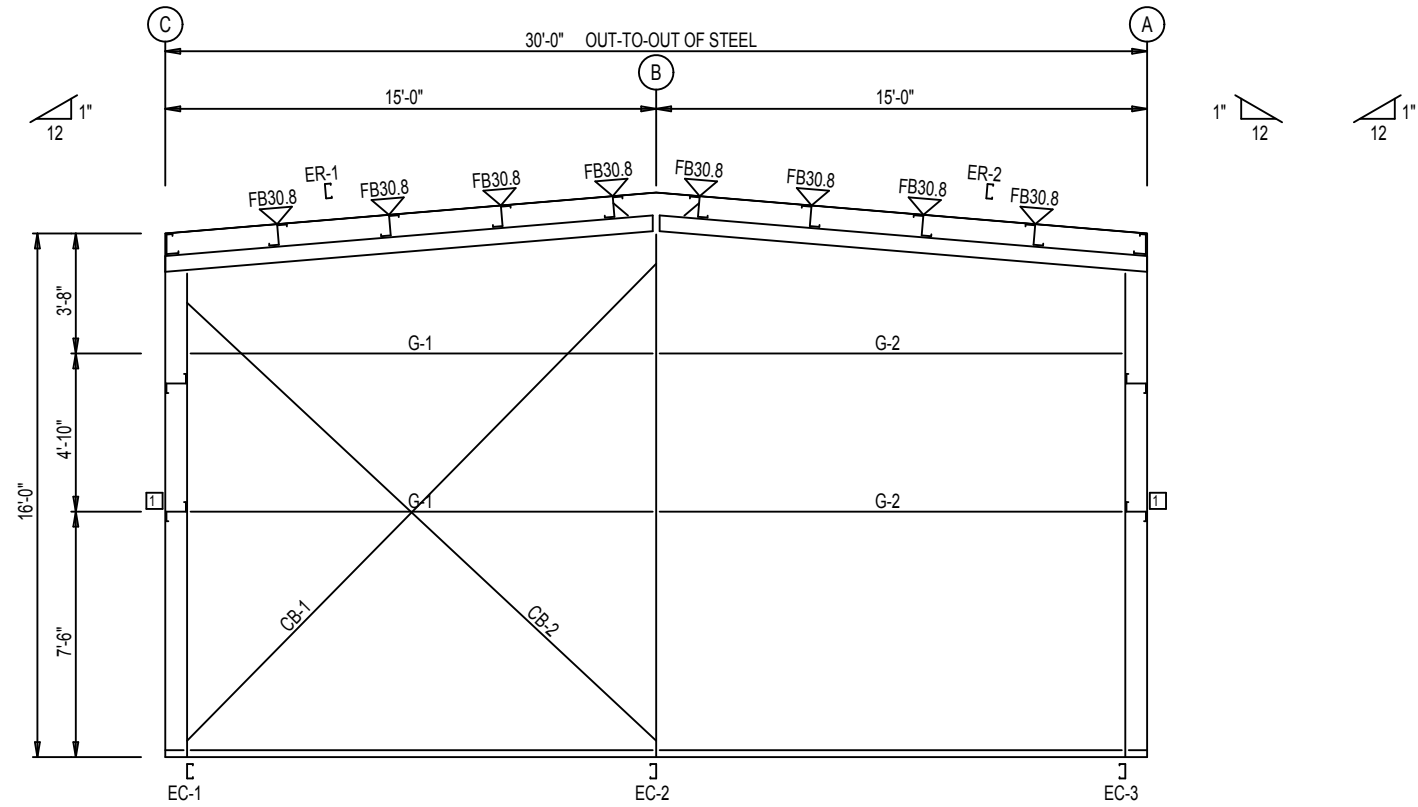
PANELS: 26 Gauge PBR - Polar White

NOT FOR CONSTRUCTION

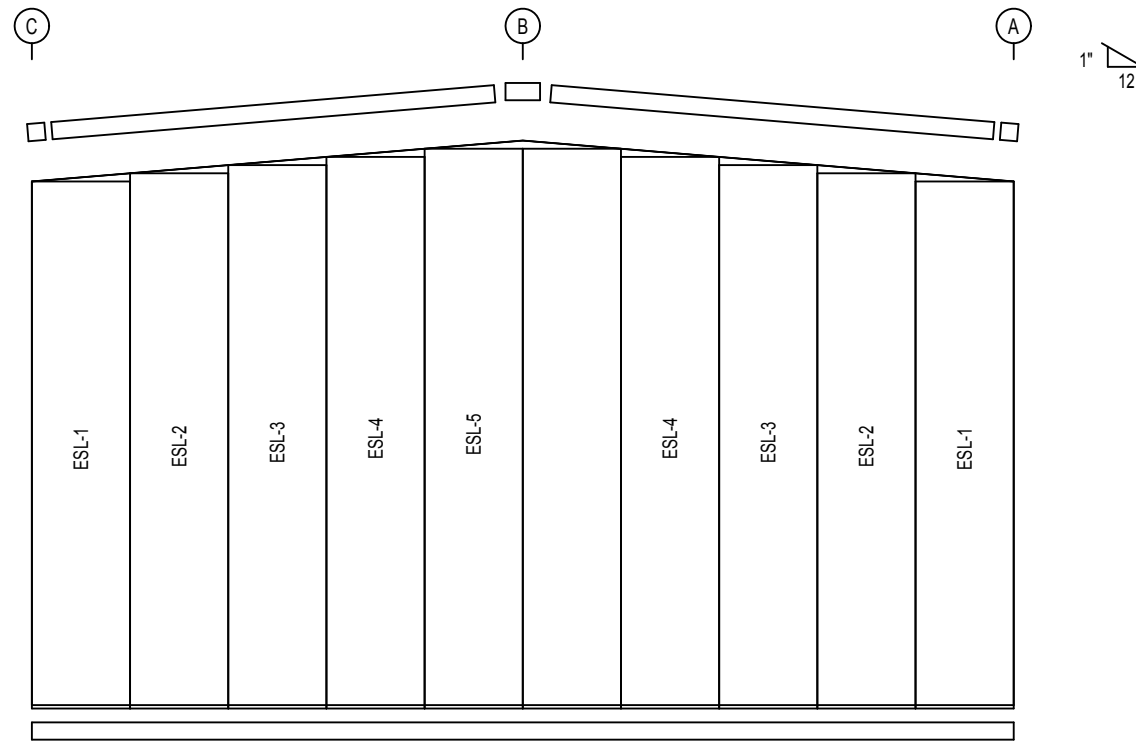
BOLT TABLE FRAME LINE 1				
LOCATION	QUAN	TYPE	DIA	LENGTH
ER-1/ER-2	8	A325	5/8"	1 3/4"
Cor_Column/Raf	4	A325	1/2"	1 1/4"
EC-2/ER-2	4	A325	5/8"	1 1/4"

FLANGE BRACE TABLE FRAME LINE 1		
▽ ID	PART	LENGTH
FB30.8	L2X2X14G	2'-6 3/4"

CONNECTION PLATES FRAME LINE 1	
□ ID	MARK/PART
1	SC-5



ENDWALL FRAMING: FRAME LINE 1



ENDWALL SHEETING & TRIM: FRAME LINE 1

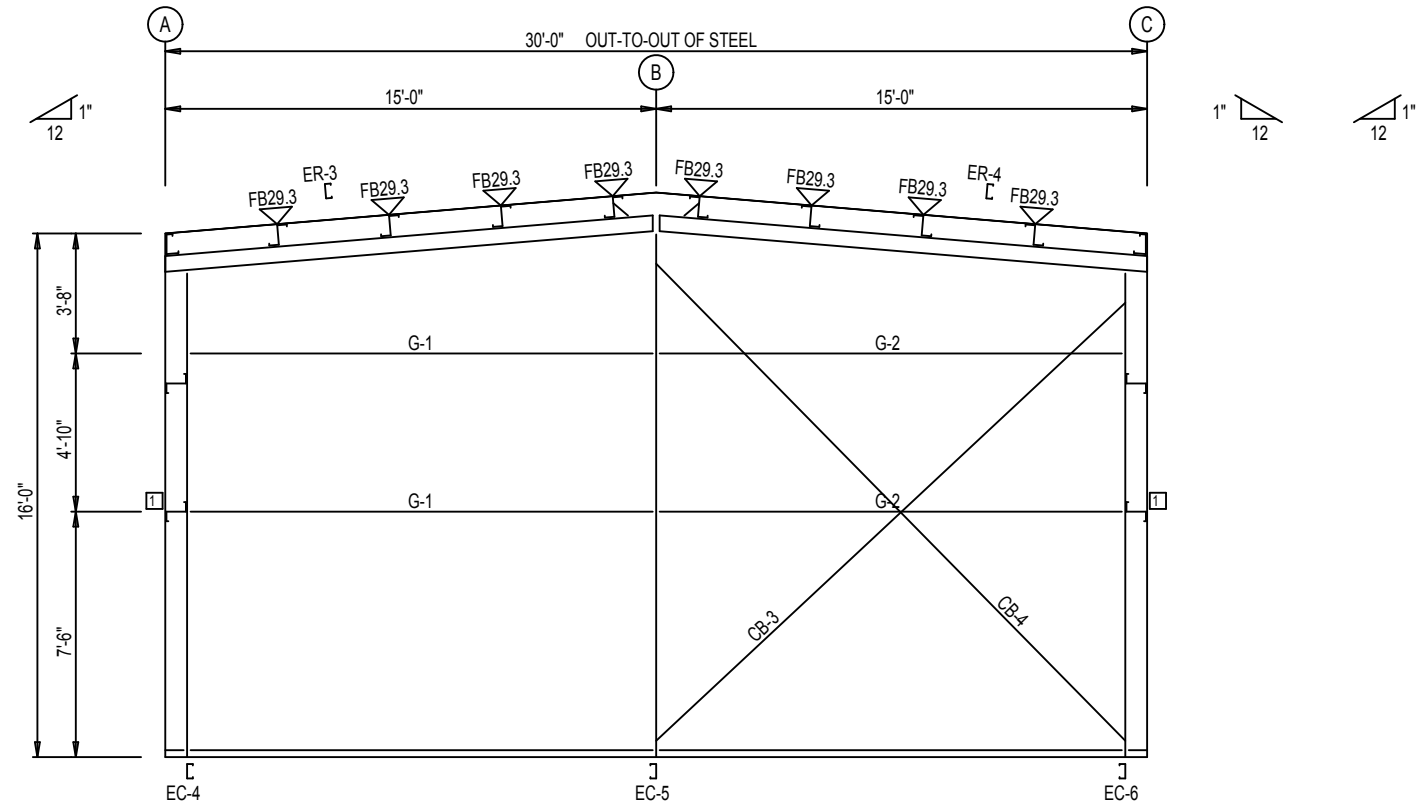
PANELS: 26 Gauge PBR - Polar White

NOT FOR CONSTRUCTION

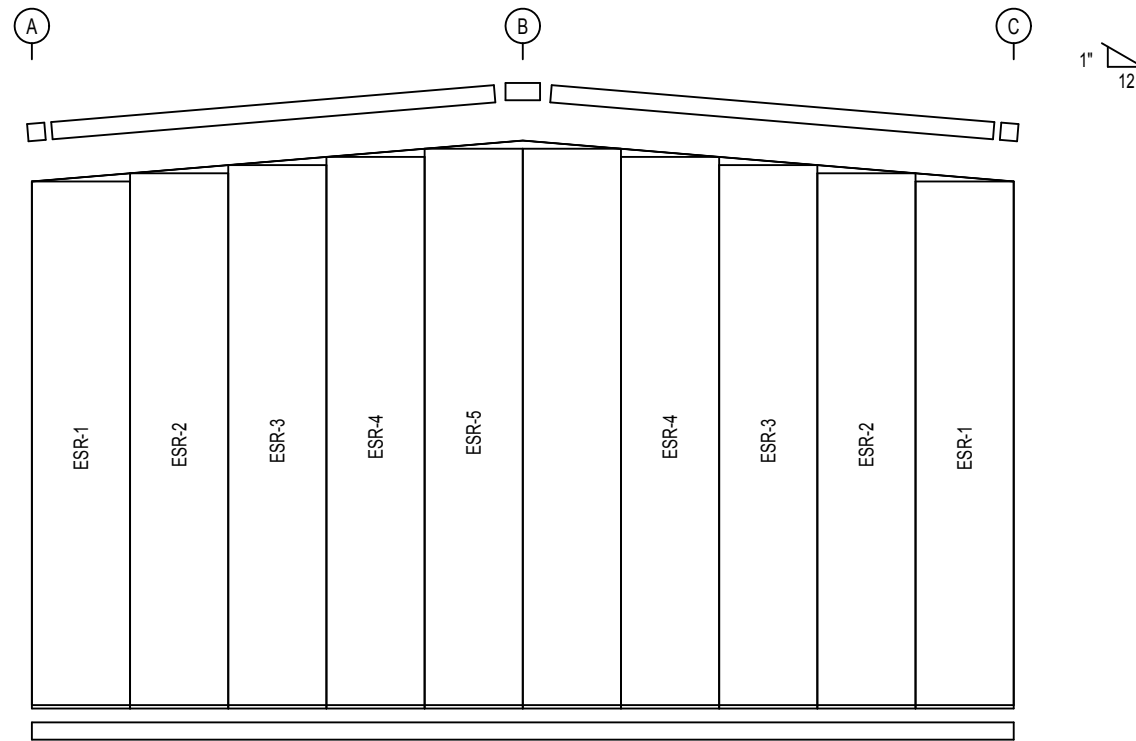
BOLT TABLE				
FRAME LINE 4				
LOCATION	QUAN	TYPE	DIA	LENGTH
ER-3/ER-4	8	A325	5/8"	1 3/4"
Cor. Column/Raf	4	A325	1/2"	1 1/4"
EC-5/ER-4	4	A325	5/8"	1 1/4"

FLANGE BRACE TABLE		
FRAME LINE 4		
▽ ID	PART	LENGTH
FB29.3	L2X2X14G	2'-5 1/4"

CONNECTION PLATES	
FRAME LINE 4	
□ ID	MARK/PART
1	SC-5



ENDWALL FRAMING: FRAME LINE 4



ENDWALL SHEETING & TRIM: FRAME LINE 4

PANELS: 26 Gauge PBR - Polar White

NOT FOR CONSTRUCTION